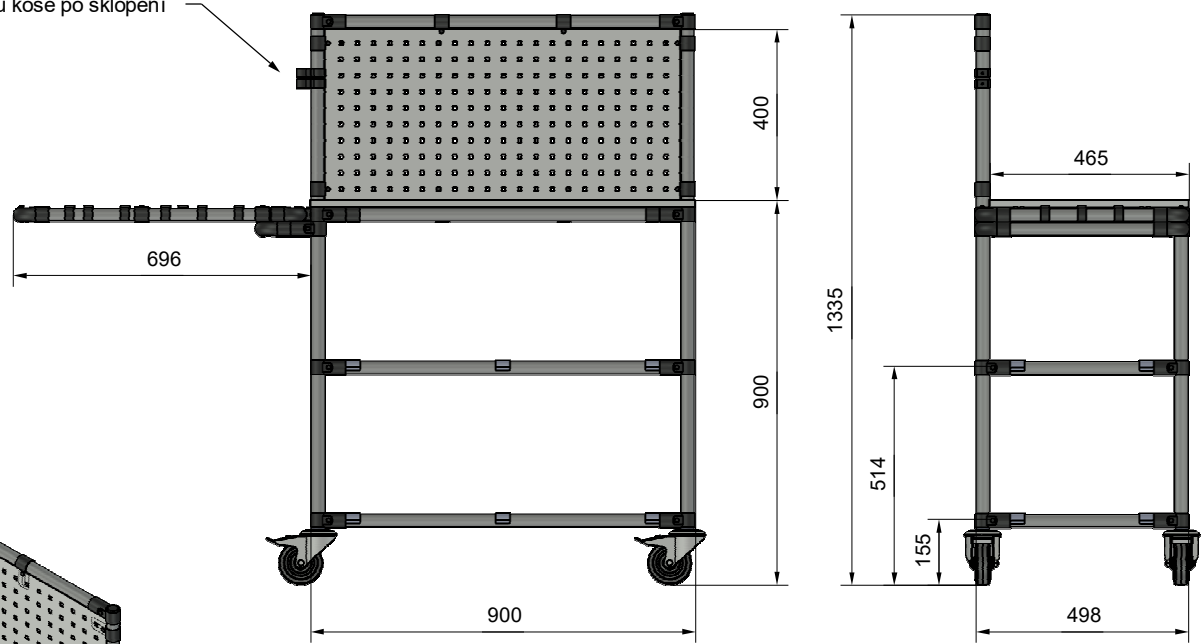
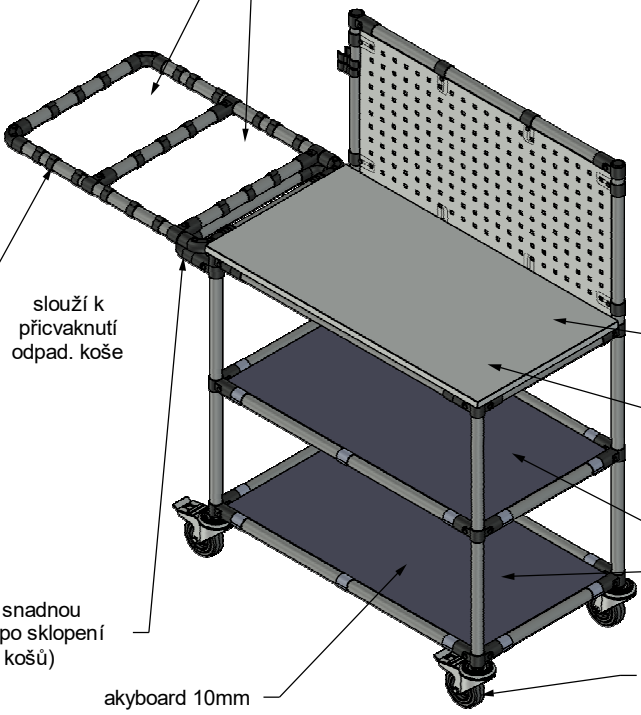


pro zacvaknutí držáku koše po sklopení



250mm světlost



slouží k přicvaknutí odpad. koše

madlo pro snadnou manipulaci (po sklopení držáku košů)

akýboard 10mm

lamino deska 18mm

nosnost: 100kg

nosnost: 50kg

4x 100mm otočné kolečko s brzdou

Workshop accuracies for general tolerances - Tolerances for length and angle dimensions; DIN ISO 2768-1-v					
-Machining details and finish classification to DIN ISO 1302					
E	Total load capacity*: 200kg		Load capacity - floor*: (nosnost na patro:*)		
	(Celková nosnost:*)				
	Scale	A3	Drawn	Checked	Dat. 12.09.2024
			Kempný		
	Title				Sheet 1 of 1
	Stůl se sklopkou				Rev. A00
				Doc.Nr	24091230

This document is the sole property of Enprag s.r.o. and may not be copied, duplicated, used or given to third parties without the written permission from Enprag s.r.o. Misuse is subject to penalties and will be legally pursued

Tolerances for shape and condition:
 - DIN ISO 2768-2-K
 Tolerancing:
 - DIN 7167