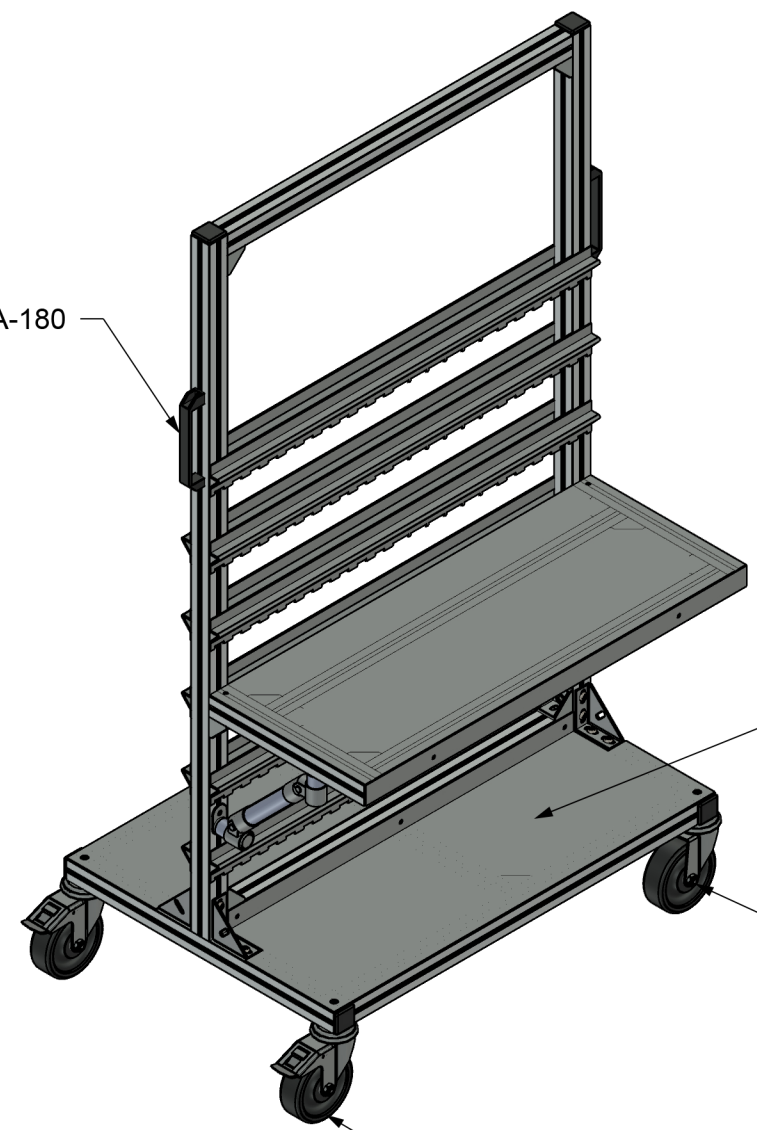


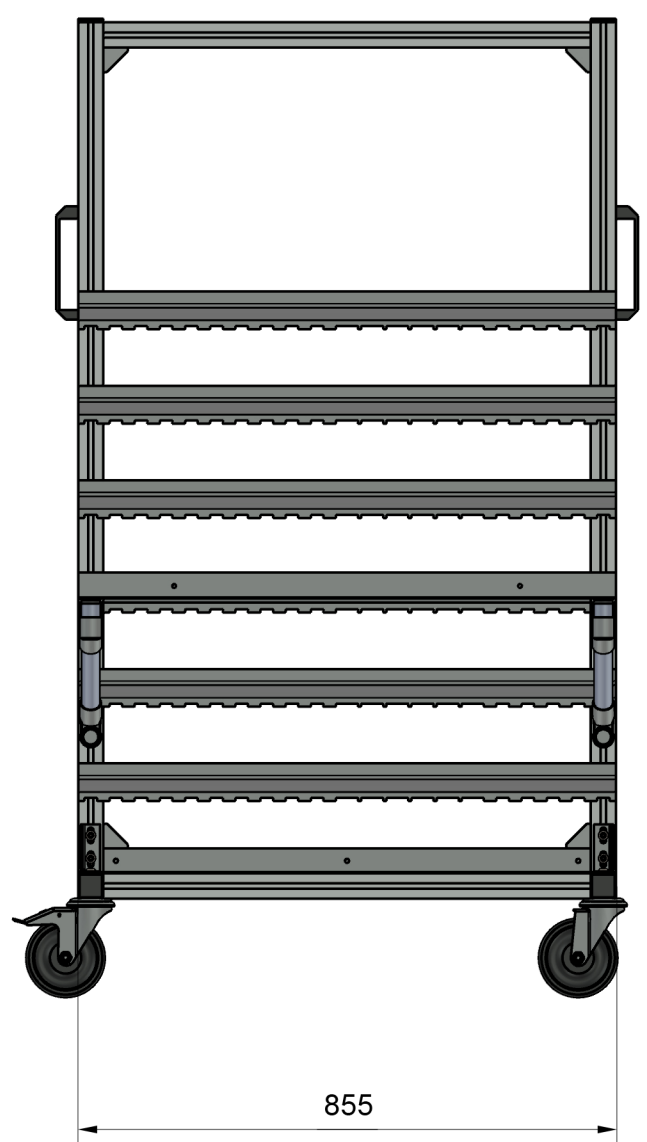
Madlo KGA-180



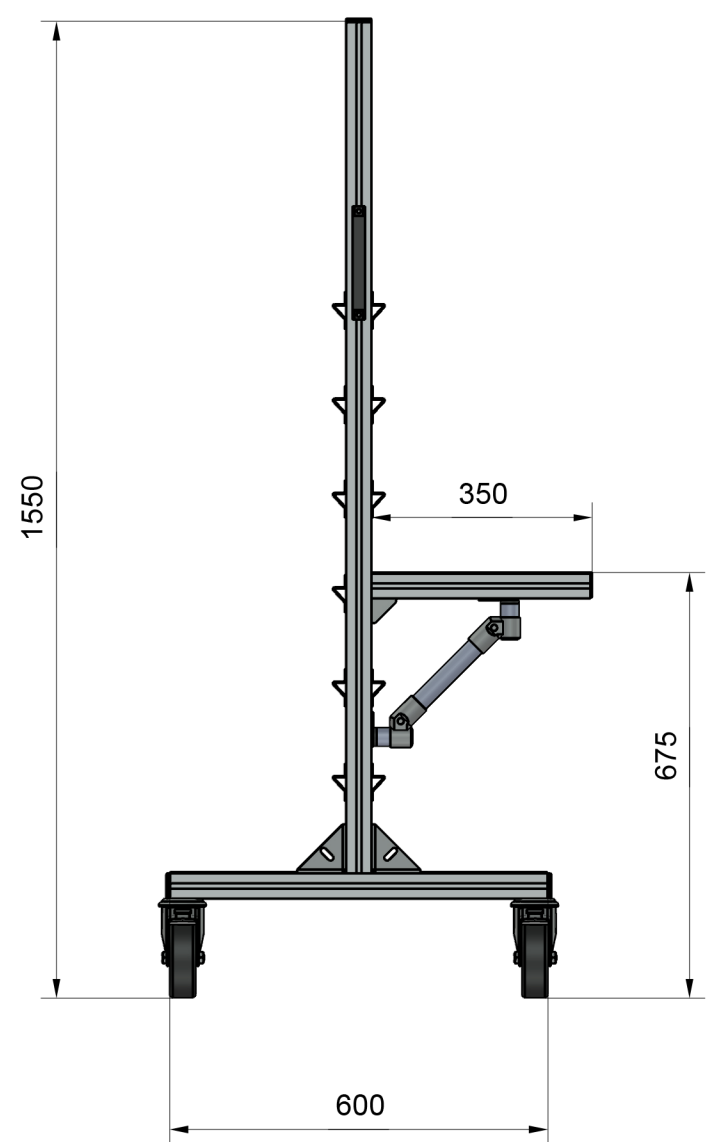
Plech tl.2mm, pozink

2x otočné kolečko bez brzdy Ø125mm

2x otočné kolečko s brzdou Ø125mm



855



1550

350

675

600

Workshop accuracies for general tolerances - Tolerances for length and angle dimensions; DIN ISO 2768-1-v -Machining details and finish classification to DIN ISO 1302				
E	Total load capacity*: (Celková nosnosť:*)	<b>400 kg</b>	Load capacity - floor*: (nosnosť na patro:*)	<b>kg</b>
	Scale	<b>A3</b>	Drawn <b>Vlach</b>	Checked <b></b>
Title			Dat. <b>23.2.2024</b>	
Title			Sheet 1 of 1	Rev. <b>A00</b>
Title			Doc.Nr <b>24022203</b>	

This document is the sole property of Enprag s.r.o. and may not be copied, duplicated, used or given to third parties without the written permission from Enprag s.r.o. Misuse is subject to penalties and will be legally pursued

Tolerances for shape and condition:  
- DIN ISO 2768-2-K  
Tolerancing:  
- DIN 7167



**Stojan bez perfopanelu**